



PS No.	PS-005-2019-001
Version	00
Date	2019-1-17

继电器规格书 RELAY SPECIFICATION

客户名称/Customer:

客户品名/Your Product Description:

客户零件编号/Your Part Number:

旺荣品名/Our Product Description: RMIH-SS-105LM

旺荣零件编号/Our Part Number:



客户批准/Customer Approval

盖章处/STAMPING AREA

发行批准 / Issued by

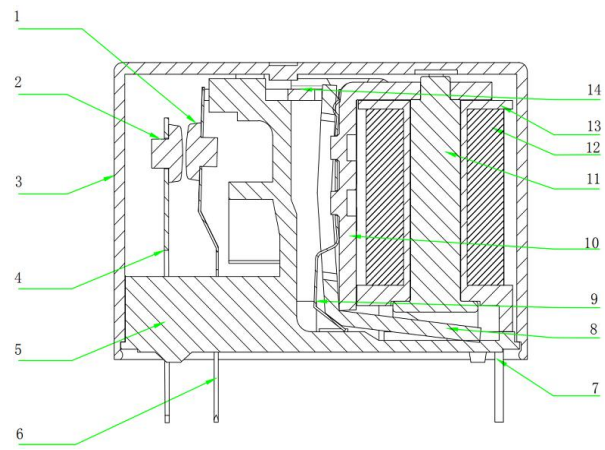
编制 Make	审核 Check	安规会签 Countersign	批准 Approved
王娜	刘桂智	余艳	杨志

继电器规格书 Relay SPECIFICATION	型号 TYPE	RMIH-SS-105LM	产品编号 Part Number	
-------------------------------	------------	---------------	---------------------	--

PS No.: PS-005-2019-001 Ver: 00

1 零件清单/PARTS LIST

No.	零件名 Part	材质 MATERIAL	型号/处理方式 TYPE/TREATMENT	UL FILE No. FLAME CLASS	备注 Remark
1	C触点 C Contact	银合金 Ag Alloy			
2	M触点 M Contact	银合金 Ag Alloy			
3	外壳 Case	PBT	RG301 5010GN6-30	E171666 E53664	UL94 V-0 UL94 V-0
4	M端子 M Terminal	铜合金 Cu Alloy			
5	基座 Base	PET	FR530 RG305	E41938 E171666	UL94 V-0 UL94 V-0
6	C端子 C Terminal	铜合金 Cu Alloy			
7	线圈端子 Coil Terminal	铜包钢 Cu coverd Steel	镀锡 Solder Coated		
8	衔铁 Yoke	铁 Steel	镀镍 Nickel Plated		
9	挂钩 Hinge	铜合金 Cu Alloy			
10	铁架 Yoke	铁 Steel	镀镍 Nickel Plated		
11	铁芯 Core	铁 Steel	镀镍 Nickel Plated		
12	线材 Wire	聚氨脂漆包圆铜线 Polyurethane copper wire	3UEW 155(F Class)	E164502 E234867 E363385	
13	骨架 Bobbin	PBT	5010GN6-30 M8X RG301	E53664 E171666	UL94 V-0 UL94 V-0
14	推片 Card	PBT LCP	RG301 R850	E171666 E171666	UL94 V-0 UL94 V-0



结构图 Construction Schematic

继电器规格书 Relay SPECIFICATION	型号 TYPE	RMIH-SS-105LM	产品编号 Part Number	
2. 性能/SPECIFICATIONS				
2.1 驱动部分/COIL SPECIFICATIONS				
2.1.1 额定电压 Rated Coil Voltage	5	VDC (在23°C时) VDC at 23°C		
2.1.2 额定功率 Nominal Power	0.54	W (在23°C时) W at 23°C		
2.1.3 线圈电阻 Coil Resistance	46.3	$\Omega \pm 10\%$ (在23°C时) $\Omega \pm 10\%$ (at 23°C)		
2.1.4 额定电流 Nominal Current	108	mA $\pm 10\%$ (在23°C时) mA $\pm 10\%$ (at 23°C)		
2.1.5 吸合电压 Operate Voltage	3.75	VDC以下 (在23°C时) VDC Max. at 23°C		
2.1.6 释放电压 Release Voltage	0.5	VDC以上 (在23°C时) VDC Min. at 23°C		
2.1.7 最大连续施加电压 Max Power	6.5	VDC Max. 130%额定电压 VDC Max. 130% of Nominal		
2.2 开关部/CONTACT SPECIFICATION				
2.2.1 开关类型 Contact Configuration	一组常开型 1 Form A			
2.2.2 接点规格 Contact Rating	16	A 277VAC (阻性负载) A @277VAC (Resistive)		
2.2.3 接触电阻 Contact Resistance	100	m Ω 以下, (初期值, DC 6V/1A条件下) m Ω Max. @ Initiate, DC 6V/1A		
	500	m Ω 以下, (寿命试验后, DC 6V/1A条件下) m Ω Max. @ After Life, DC 6V/1A		
2.2.4 吸合时间 Operate Time	20	ms 以下 (额定电压下) ms Max. @ Rated Voltage		
2.2.5 释放时间 Release Time	10	ms 以下 (施加额定电压后断开时) ms Max. @ Rated Voltage		
2.2.6 最大动作频率 Max. Switching Rate	300	次/分 (无负载) ops./min. (no load).		
	6	次/分 (额定负载) ops./min. (Rated load)		
2.3 特性/GENERAL SPECIFICATION				
2.3.1 绝缘电阻 Insulation Resistance	1000	M Ω 以上 (500VDC) M Ω Min@500VDC		
2.3.2 介质耐压 Dielectric Strength	1000	VAC/分钟(接点间)		
	5000	VAC/分钟(线圈/接点间)		
	1000	VAC@50/60Hz 1 min.(Between Open Contacts)		
	5000	VAC@50/60Hz 1 min.(Between Coil and Contacts)		



继电器规格书 Relay SPECIFICATION	型号 TYPE	RMIH-SS-105LM	产品编号 Part Number	
2.3.3 电气寿命 Electrical Life		1×10 ⁵ 次以上 (常温, 额定负载) 1×10 ⁵ Cycle Min. @Room Temperature,Rate Load)		
2.3.4 机械寿命 Mechanical Life		1×10 ⁶ 次以上 (无负载) 1×10 ⁶ Cycle Min. @no load		
2.3.5 线圈温升 Coil Temperature Rise:		70K Max. (线圈电压: 110%Ue, 额定负载, 环境温度: 85℃) 70K Max. (Coil Voltage:110%Ue,Rate Load, Environmental Temperature:85℃)		
2.3.6 使用环境温度 Temperature		-40~85 °C (无凝结时) -40~85 °C @no condensation		
2.3.7 使用环境湿度 Humidity		5~85% RH (无凝结时) 5~85% RH @no condensation		
2.3.8 抗振动 Vibration	耐久 Mechanical	10~55 Hz, 双振幅 1.5mm 10 to 55 Hz, 1.5mm double amplitude		
	误动作 Operational	10~55 Hz, 双振幅 1.5mm 10 to 55 Hz, 1.5mm double amplitude		
2.3.9 抗冲击 Shock	耐久 Mechanical	980 m/s ² Min (约100G) 980 m/s ² Min (100G approximately)		
	误动作 Operational	98 m/s ² Min (约10G) 98 m/s ² Min (10G approximately)		
2.3.10 重量约 Weight>About		14 克 14 g		
2.3.11 焊锡条件 Solder ability		5s @ 260℃ (波峰焊) 5s @ 260℃ (wave soldering)		
2.4 端子性能/TERMINAL CHARACTERISTICS				
2.4.1 端子强度 Terminals strength		5牛/10秒, 任意方向静态压力, 无异常, 但端子弯曲可以 5N 10s, There shall be no abnormalities. (The curving of the terminal shall be acceptable)		
2.4.2 可焊性 Terminal solderbility		260±5℃ 3s, 端子头部90%以上的面积有锡覆盖 (无铅焊锡) 260±5℃ 3s. In Case of lead lead free solder, 90% of the dipped portion shall be solderd.		
2.4.3 耐热性 Soldering Heat Resistance		10s @ 260℃, 端子头部3mm浸入锡中, 无异常发生 10s @ 260℃, There shall be no abnormalities. (wave soldering)		
2.5 耐温性/Temperature Resistance				
2.5.1 耐热 Heat Resistance		(85±5) °C, 16h, 恢复常温2h, 无异常发生 (85±5) °C, 16h, Room Temperature:2h, There shall be no abnormalities.		
2.5.2 耐寒 Cold Resistance		(-40±2) °C, 16h, 恢复常温2h, 无异常发生 (-40±2) °C, 16h, Room Temperature:2h, There shall be no abnormalities.		
2.6 耐湿性/Moisture Resistance		(-40±2) °C, RH:90%~95%,16h, 恢复常温2h, 无异常发生, 绝缘电阻≥50MΩ (500VDC) (-40±2) °C, RH:90%~95%,16h, Room Temperature:2h, There shall be no abnormalities. Insulation Resistance:≥50MΩ (500VDC)		



PS No.: PS-005-2019-001 Ver 00

继电器规格书 Relay SPECIFICATION	型号 TYPE	RMIH-SS-105LM	产品编号 Part Number		PS No.:
-------------------------------	------------	---------------	---------------------	--	---------

PS-005-2019-001
Ver
00

2.7 安全规格/SAFETY REQUIREMENTS



2.9.1 UL规格认定 (UL & C-UL)
UL (UL & C-UL)

档案号: E345228
File No.:



2.9.2 CQC标志认证
CQC

证书编号: CQC11002066332
Certificate No.: CQC16002139597



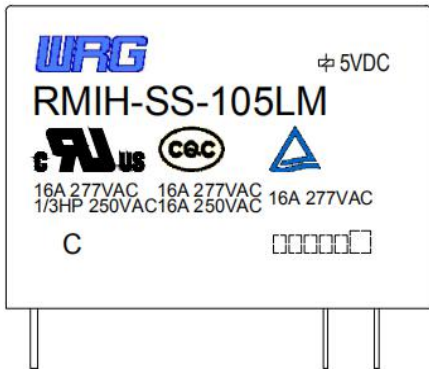
2.9.3 TUV规格认定
TUV

证书号 R 50242245
Certificate No.:



2.9.4 产品符合ROHS和REACH要求。
The product meets the requirements of ROHS & REACH.

3. 捺印图/Mark Layout




印字方式: 激光印字
Printing: laser printing.

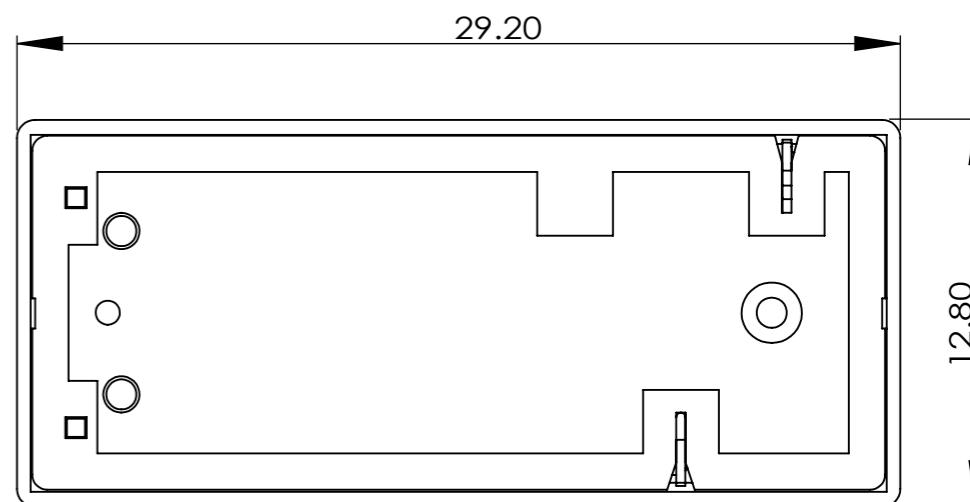
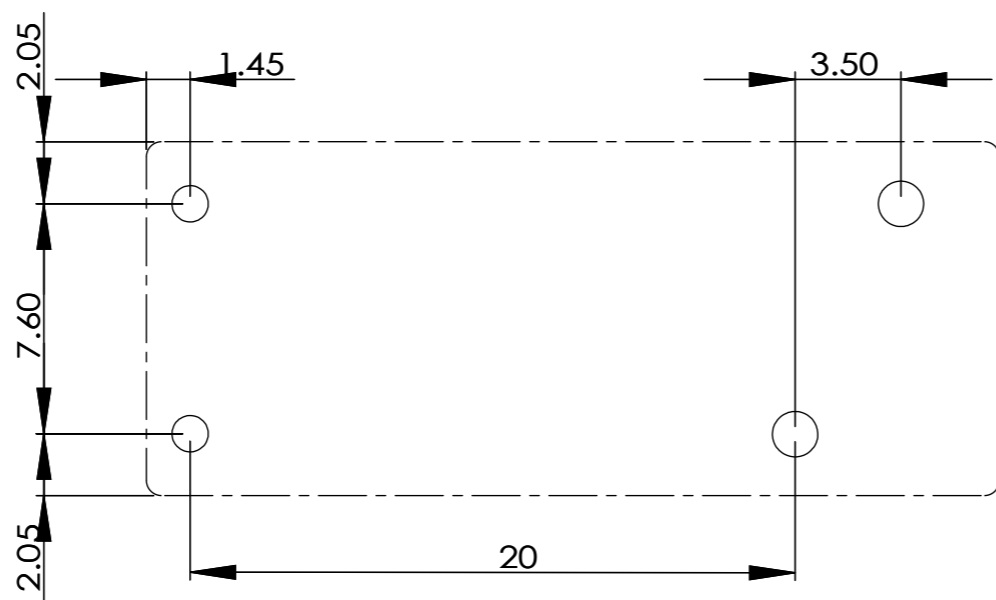
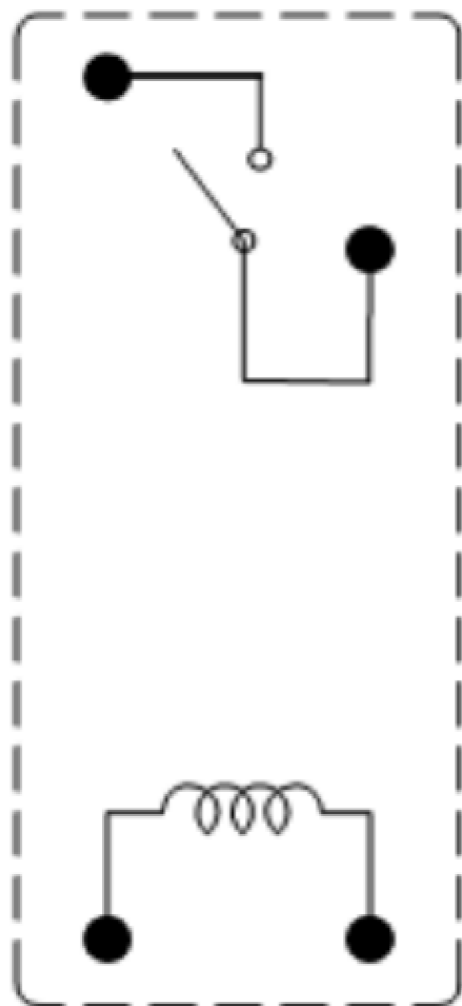
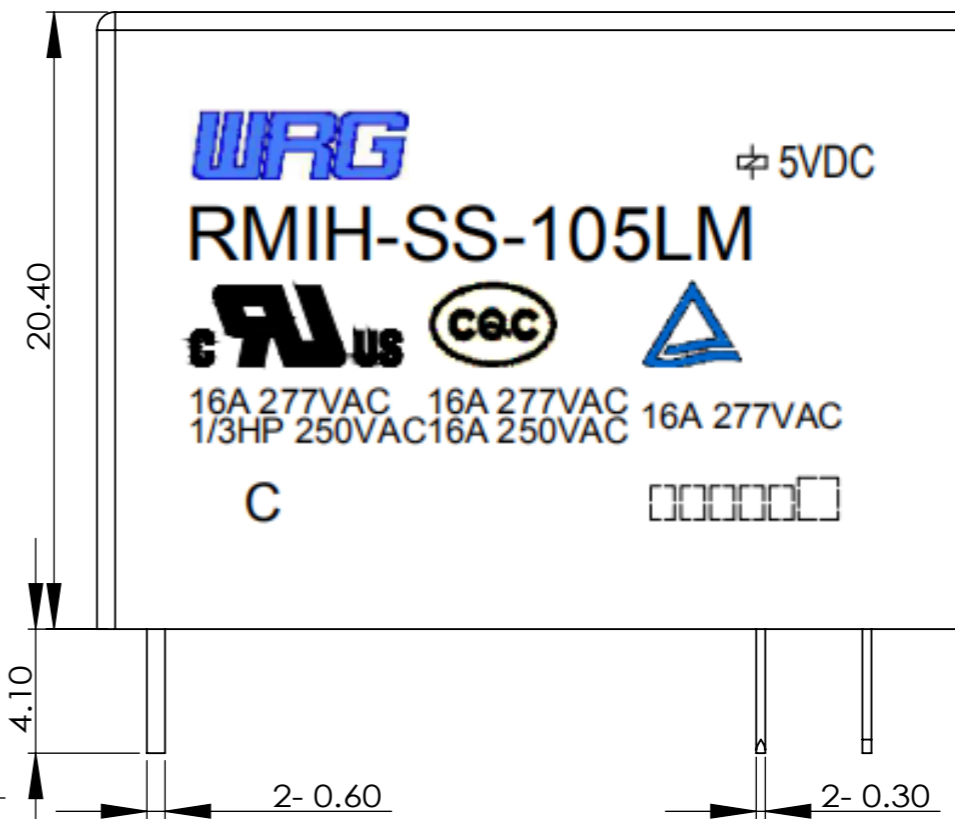
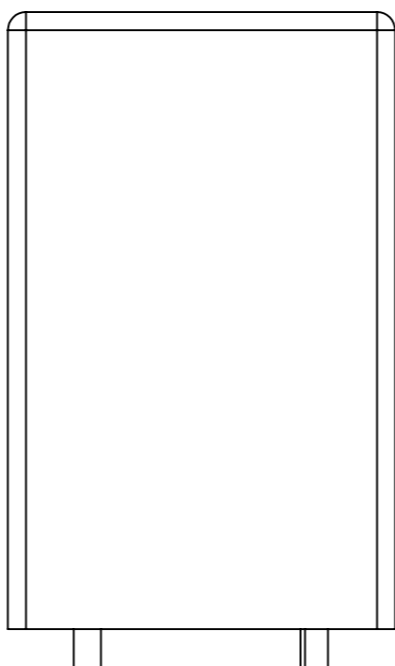
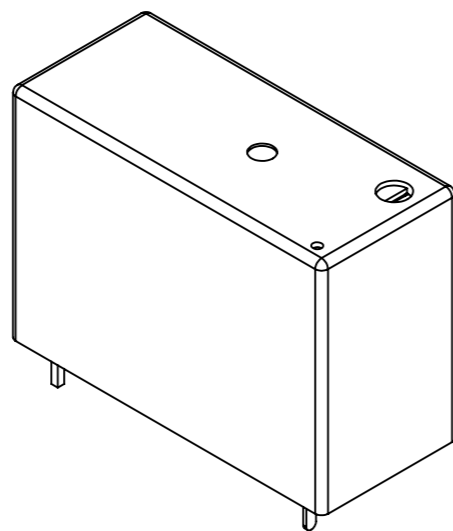
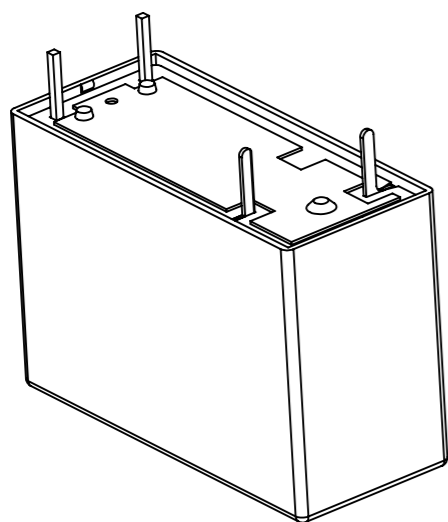
Batch No. Identification:

H □ □ □ □ □

- 1、Manufactory:
Blank: Shenzhen; H: Huangshan
- 2、Year
The last two digits of the year.
- 3、Week
Production of the current week.
- 4、Lot No.
(A,B,C,.....Z) OR (AA,BB,CC,.....ZZ)

注:
仅供参考.
For reference only.

继电器规格书 Relay SPECIFICATION	型号 TYPE	RMIH-SS-105LM	产品编号 Part Number		PS No.: PS-005-2019-001 Ver 00
<p>4 订货标记/Ordering Information</p> <p>RMIH - SS - 1 05 L M -XXX</p> <p>① ② ③ ④ ⑤ ⑥ ⑦</p> <p>① 产品型号 Model designation RMIH</p> <p>② 保护结构 Construction type SS: 防助焊剂型 (flux-proof)</p> <p>③ 接点组数 Number of poles 1:1组 (1 pole)</p> <p>④ 线圈电压 Coil voltage 05:05V</p> <p>⑤ 功率 Coil Power L:0.54W</p> <p>⑥ 接点结构 Contact configuration M:常开型 (Form A)</p> <p>⑦ 特殊参数 Special request</p> <div data-bbox="1018 517 1353 741" style="text-align: center;">  </div> <p>5 其他说明/Others</p> <p>5.1 除非特别申明，测试或试验的标准环境条件如下： Unless otherwise explicitly stated, the standard environment conditions for measurement or testing are listed as following:</p> <p>5.1.1 环境温度：23±5℃ Ambient temperature is 23±5℃</p> <p>5.1.2 大气压力：96±10%kPa Atmospheric pressure is 96±10%kPa</p> <p>5.1.3 相对湿度：25%~75% RH Relative humidity is 25%~75% RH</p> <p>5.2 非密封型继电器需要防止阻焊剂或污染物进入继电器。 Unsealed relays should prevent flux or contamination into the relay.</p> <p>5.3 密封型继电器/Sealed relay</p> <p>5.3.1 对于密封型产品，在焊接完成后，如果需要进行清洗，请告知敝司。 Regarding the sealed relays, If cleaning is necessary after welding, please contact us.</p> <p>5.3.2 推荐在室温条件下，尽可能短的时间内完成清洗过程。不建议用热水清洗塑胶外壳型继电器，因为水可能进入继电器。 It will be recommendable to make washing process in possible short time with normal room temperature solution. Washing process by hot water is not recommendable for plastic cased relay as the water immersion-problem into relay may be caused.</p> <p>5.3.3 不建议用超声波清洗设备清洗塑胶外壳型继电器，因为继电器触点可能被超声波能力轻微粘滞。 Ultraonic washing machine's cleaning for plastic cased relay is not recommendable as the relay's contact may be slightly stuck by ultrasonic wave energy.</p> <p>5.4 避免在强磁条件下使用继电器，外界磁场会造成继电器动作和释放等参数发生变化。 To avoid using the relays under strong magnetic field because it will change the parameters of relay such as pull-in and drop-out voltage.</p> <p>5.5 为了保持继电器的性能，请注意不要使继电器掉落或受到强冲击。掉落后的继电器建议不要使用。 To maintain the performances of relays, please do not make the relay drop or be shocked strongly. Suggest that the relays dropped not be used.</p> <p>结束/<END></p>					



型号	RMIH	子图号	承认	检图	制图
		作图日期			
公差/TOLERANCES (.mm)		2018.06.23			
<1	±0.2	数量	版本	名称 (用途)	
1~5	±0.3	1	V1.0	RMIH A型	
>5	±0.4	比例	页数	图号	
		4:1	1/1	U-005-02	